

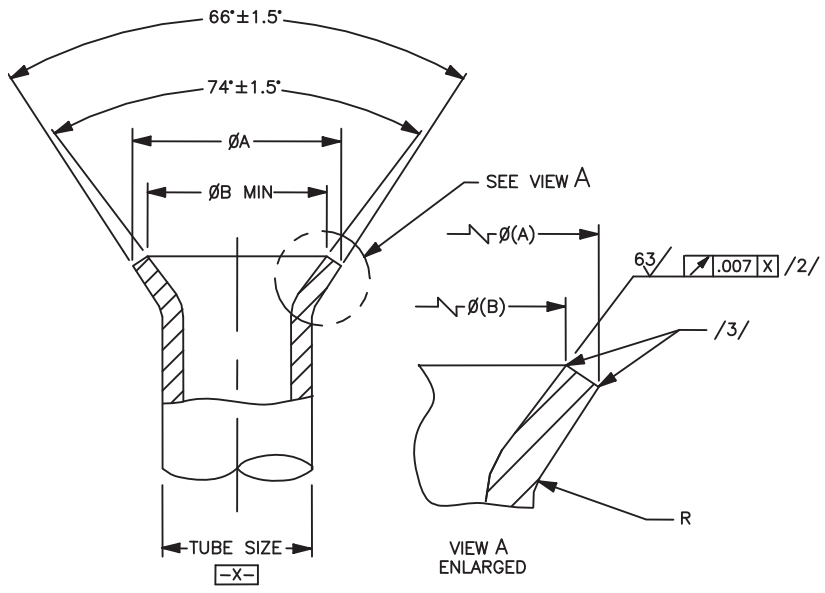
SAE Technical Standards Board Rules provide that: "This report is published by SAE to advance the state of technical and engineering sciences. The use of this report is entirely voluntary, and its applicability and suitability for any particular use, including any patent infringement arising therefrom, is the sole responsibility of the user." SAE reviews each technical report at least every five years at which time it may be revised, reaffirmed, stabilized, or cancelled. SAE invites your written comments and suggestions.

**REV. A**  
**AS4330**

FEDERAL SUPPLY CLASS  
4730

**RATIONALE**

1. CLARIFIED THE INCLUDED ANGLE TOLERANCES IN FIGURE 1.
2. FIGURE 1 AND VIEW "A" REDRAWN TO SHOW TUBE END VIEW AFTER FORMING.
3. CHANGED TITLE IN ACCORDANCE WITH ARP1987.
4. REVISED NOTES TO AGREE WITH KC154.

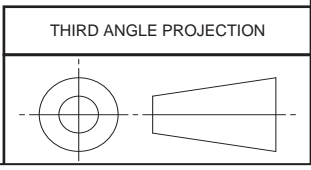


**FIGURE 1 - TUBING END, FLARED**

**TABLE 1 - DIMENSIONS**

BASIC NUMBER AS4330 /9/ SIZE CODE	(NOMINAL TUBE SIZE)	A	B	R
02	.125	.190 - .210	.140	.017 - .047
03	.188	.292 - .312	.245	.017 - .047
04	.250	.349 - .369	.300	.017 - .047
05	.312	.411 - .431	.320	.017 - .047
06	.375	.474 - .494	.440	.031 - .061
08	.500	.646 - .666	.555	.047 - .077
10	.625	.771 - .791	.665	.047 - .077
12	.750	.927 - .947	.800	.063 - .093
16	1.000	1.172 - 1.202	1.080	.083 - .113
20	1.250	1.485 - 1.515	1.400	.083 - .113
24	1.500	1.706 - 1.736	1.600	.099 - .129
28	1.750	2.091 - 2.121	1.850	.099 - .129
32	2.000	2.341 - 2.371	2.100	.099 - .129

**SAE values your input. To provide feedback on this Technical Report, please visit <http://www.sae.org/technical/standards/AS4330A>**



CUSTODIAN: G-3/G-3B

PROCUREMENT SPECIFICATION: NONE /1/



**AEROSPACE STANDARD**  
TUBING, FLARED, STANDARD DIMENSIONS FOR, DESIGN STANDARD

**AS4330**  
SHEET 1 OF 2

**REV. A**

ISSUED 1993-08 REAFFIRMED 2005-06 REVISED 2014-04